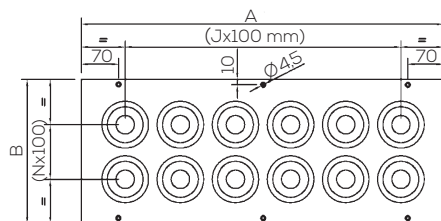


3

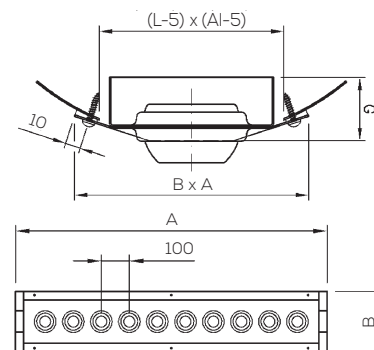
TOBERAS
GRAN
ALCANCE

Unidad multitobera de largo alcance MULTIROTULAR y de alta Inducción, para montaje en conducto rectangular/pared/techo marca INDUCTAIR Mod. IND-MNZ-V/CV/ RAL 9010, equipada con 3 microtoberas orientables individualmente de $\varnothing 45$ mm dispuestas en una hilera, con dispositivo rotular semiesférico movilidad 33° respecto al eje de la tobera y 360° en cualquier plano ortogonal al anterior, montadas sobre bastidor fabricado en chapa de acero lacado en color blanco RAL 9010 y toberas en material sintético en color blanco RAL 9010.



| Número de boquillas | Longitud nominal lateral L (mm) | A (mm) | C (mm) | J (mm) |
|---------------------|---------------------------------|--------|--------|--------|
| 3 | 325 | 353 | 360 | 2 |
| 4 | 425 | 453 | 460 | 3 |
| 5 | 525 | 553 | 560 | 4 |
| 6 | 625 | 653 | 660 | 5 |
| 7 | 725 | 753 | 760 | 6 |
| 8 | 825 | 853 | 860 | 7 |
| 9 | 925 | 953 | 960 | 9 |
| 10 | 1025 | 1053 | 1060 | 9 |

| Número de filas | Altura nominal lateral H (mm) | B (mm) | D (mm) | N (mm) |
|-----------------|-------------------------------|--------|--------|--------|
| 1 | 125 | 153 | 160 | 0 |
| 2 | 225 | 253 | 260 | 1 |
| 3 | 325 | 353 | 360 | 2 |



| Número de boquillas | L (mm) | A (mm) |
|---------------------|--------|--------|
| 3 | 325 | 355 |
| 4 | 425 | 455 |
| 5 | 525 | 555 |
| 6 | 625 | 655 |
| 7 | 725 | 755 |
| 8 | 825 | 855 |
| 9 | 925 | 955 |
| 10 | 1025 | 1055 |

| Número de filas | Al (mm) | B (mm) | G (mm) |
|-----------------|---------|--------|--------|
| 1 | 125 | 153 | 34 |
| 2 | 225 | 253 | 43 |

| | Diámetro del conducto (mm) | |
|---|----------------------------|------|
| | min. | máx. |
| 1 | 315 | 900 |
| 2 | 630 | 1400 |

TABLAS DE SELECCIÓN

| Tamaño | Caudal m ³ /h | Pot. Sonora dB(A) a 250 Hz | Perd. Carga Pa | ΔT Refrigeración °C | Alcance Horizontal m | Caída Vertical m | ΔT Calefacción °C | Alcance Vertical Yh (m) | V. med. residual m/s | Inducción |
|----------|--------------------------|----------------------------|----------------|---------------------|----------------------|------------------|-------------------|-------------------------|----------------------|-----------|
| 325x125 | 124,82 | 25 | 48 | -10 | 5,664 | 0,4131 | +15 | 4,3055 | 0,20 | 18,983 |
| | 187,23 | 35 | 107,2 | -10 | 8,808 | 0,6318 | +15 | 6,6439 | 0,20 | 29,3068 |
| | 229,10 | 40 | 160 | -10 | 11,512 | 0,8181 | +15 | >10 | 0,20 | 38,0562 |
| 425x125 | 158,00 | 25 | 43,2 | -10 | 6,152 | 0,5427 | +15 | 4,6926 | 0,20 | 19,1962 |
| | 236,21 | 35 | 96,8 | -10 | 9,264 | 0,8019 | +15 | 6,9994 | 0,20 | 28,618 |
| | 289,14 | 40 | 144,8 | -10 | 12,592 | 1,0854 | +15 | >10 | 0,20 | 38,6302 |
| 525x125 | 188,81 | 25 | 40 | -10 | 6,712 | 0,6966 | +15 | 5,1587 | 0,20 | 19,7784 |
| | 283,61 | 35 | 89,6 | -10 | 9,816 | 1,0125 | +15 | 7,4576 | 0,20 | 28,6836 |
| | 346,81 | 40 | 134,4 | -10 | 13,12 | 1,3365 | +15 | >10 | 0,20 | 38,0316 |
| 625x125 | 219,62 | 25 | 37,6 | -10 | 7,104 | 0,8181 | +15 | 5,3641 | 0,20 | 19,7866 |
| | 329,43 | 35 | 84 | -10 | 10,68 | 1,215 | +15 | >10 | 0,20 | 29,4052 |
| | 402,90 | 40 | 125,6 | -10 | 14,168 | 1,5876 | +15 | >10 | 0,20 | 38,6876 |
| 825x125 | 278,08 | 25 | 34,4 | -10 | 7,328 | 1,053 | +15 | 5,609 | 0,20 | 19,2454 |
| | 416,33 | 35 | 76 | -10 | 11,176 | 1,5714 | +15 | >10 | 0,20 | 28,9788 |
| | 509,55 | 40 | 114,4 | -10 | 12,08 | 2,0898 | +15 | >10 | 0,20 | 38,7778 |
| 1025x125 | 332,59 | 25 | 32 | -10 | 8,008 | 1,3689 | +15 | 6,1067 | 0,20 | 19,8276 |
| | 499,28 | 35 | 70,4 | -10 | 12,208 | 2,0412 | +15 | >10 | 0,20 | 29,8562 |
| | 610,67 | 40 | 105,6 | -10 | >20 | 2,7135 | +15 | >10 | 0,20 | 39,9422 |
| 1225x125 | 374,46 | 25 | 29,6 | -10 | 9,6096 | 1,64268 | +15 | 7,32804 | 0,20 | 23,79312 |
| | 561,69 | 35 | 65,6 | -10 | 14,6496 | 2,44944 | +15 | >10 | 0,20 | 35,82744 |
| | 687,30 | 40 | 998,4 | -10 | >20 | 3,2562 | +15 | >10 | 0,20 | 47,93064 |
| 325x225 | 221,20 | 25 | 37,6 | -10 | 7,104 | 0,8181 | +15 | 5,3641 | 0,20 | 19,7866 |
| | 331,01 | 35 | 84,8 | -10 | 10,68 | 1,215 | +15 | >10 | 0,20 | 29,4052 |
| | 405,27 | 40 | 126,4 | -10 | 14,168 | 1,5876 | +15 | >10 | 0,20 | 38,6876 |
| 425x225 | 279,66 | 25 | 34,4 | -10 | 7,424 | 1,053 | +15 | 5,6327 | 0,20 | 19,2044 |
| | 418,70 | 35 | 76,8 | -10 | 11,312 | 1,56816 | +15 | >10 | 0,20 | 28,8804 |
| | 512,71 | 40 | 114,4 | -10 | 15,264 | 2,0817 | +15 | >10 | 0,20 | 38,622 |

Velocidad media residual 0,25 m/s en la Zona Ocupada 1,8 m.

TABLAS DE SELECCIÓN

| Tamaño | Caudal m ³ /h | Pot. Sonora dB(A) a 250 Hz | Perd. Carga Pa | ΔT Refrigeración °C | Alcance Horizontal m | Caída Vertical m | ΔT Calefacción °C | Alcance Vertical Yh (m) | V. med. residual m/s | Inducción |
|----------|-----------------------------|----------------------------------|-------------------|---------------------------|-------------------------|---------------------|-------------------------|-------------------------------|----------------------------|-----------|
| 525x225 | 334,96 | 25 | 32 | -10 | 8,12 | 1,3689 | +15 | 6,0988 | 0,20 | 19,9424 |
| | 502,44 | 35 | 71,2 | -10 | 12,384 | 2,0412 | +15 | >10 | 0,20 | 30,0284 |
| | 614,62 | 40 | 105,6 | -10 | >20 | 2,7054 | +15 | >10 | 0,20 | 40,1472 |
| 625x225 | 389,47 | 25 | 29,6 | -10 | 8,224 | 1,5795 | +15 | 6,2252 | 0,20 | 19,4094 |
| | 583,02 | 35 | 66,4 | -10 | 12,76 | 2,3976 | +15 | >10 | 0,20 | 29,7086 |
| | 714,16 | 40 | 99,2 | -10 | >20 | 3,1347 | +15 | >10 | 0,20 | 39,1304 |
| 825x225 | 492,17 | 25 | 27,2 | -10 | 8,896 | 2,0736 | +15 | 6,6992 | 0,20 | 19,2126 |
| | 737,86 | 35 | 60 | -10 | 13,608 | 3,0861 | +15 | >10 | 0,20 | 28,946 |
| | 903,76 | 40 | 89,6 | -10 | >20 | <5 | +15 | >10 | 0,20 | 38,7286 |
| 1025x225 | 590,13 | 25 | 24,8 | -10 | 9,504 | 3,24 | +15 | 7,0389 | 0,20 | 19,3684 |
| | 884,01 | 35 | 56 | -10 | 14,4 | 3,8637 | +15 | >10 | 0,20 | 28,905 |
| | 1082,30 | 40 | 83,2 | -10 | >20 | <5 | +15 | >10 | 0,20 | 37,9086 |
| 425x325 | 395,79 | 25 | 29,6 | -10 | 8,328 | 1,5957 | +15 | 6,2489 | 0,20 | 19,4914 |
| | 593,29 | 35 | 66,4 | -10 | 12,928 | 2,4138 | +15 | >10 | 0,20 | 29,8152 |
| | 726,01 | 40 | 99,2 | -10 | >20 | 3,2238 | +15 | >10 | 0,20 | 39,2698 |
| 525x325 | 463,75 | 25 | 27,048 | -10 | 9,12 | 2,0331 | +15 | 6,873 | 0,20 | 20,0162 |
| | 695,23 | 35 | 60,76 | -10 | 13,768 | 2,997 | +15 | >10 | 0,20 | 29,7906 |
| | 850,85 | 40 | 90,944 | -10 | >20 | 3,8718 | +15 | >10 | 0,20 | 38,8188 |
| 625x325 | 550,63 | 25 | 25,6 | -10 | 9,488 | 2,3328 | +15 | 7,0547 | 0,20 | 19,7292 |
| | 825,55 | 35 | 57,6 | -10 | 14,52 | 3,4668 | +15 | >10 | 0,20 | 29,7086 |
| | 1010,41 | 40 | 86,4 | -10 | >20 | <5 | +15 | >10 | 0,20 | 39,729 |
| 825x325 | 697,57 | 25 | 23,2 | -10 | 10,24 | 3,078 | +15 | 7,6156 | 0,20 | 19,885 |
| | 1045,17 | 35 | 52 | -10 | 15,568 | <5 | +15 | >10 | 0,20 | 29,7086 |
| | 1279,80 | 40 | 78,4 | -10 | >20 | <5 | +15 | >10 | 0,20 | 39,114 |
| 1025x325 | 835,03 | 25 | 21,6 | -10 | 10,592 | 3,8151 | +15 | 7,7341 | 0,20 | 19,4012 |
| | 1252,15 | 35 | 48,8 | -10 | >20 | <5 | +15 | >10 | 0,20 | 29,9956 |
| | 1532,60 | 40 | 72,8 | -10 | >20 | <5 | +15 | >10 | 0,20 | 39,114 |

Velocidad media residual 0,25 m/s en la Zona Ocupada 1,8 m.