

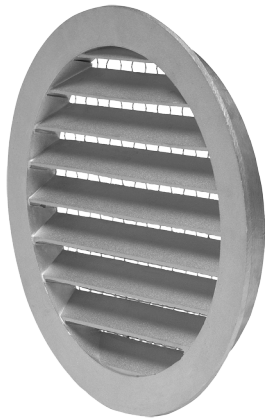
YGC

External wall grille



External wall grille

YGC



Description

Valve for outdoor air intake and extract air discharge. Designed with a fixed louvre.

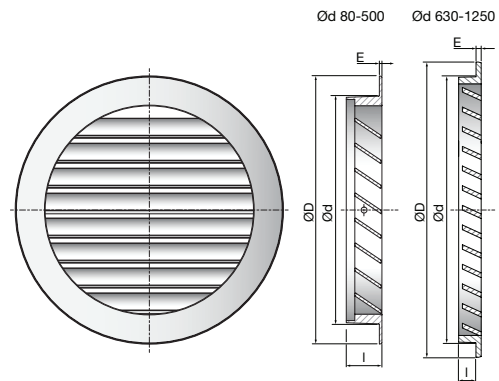
Ø80 - 500 is equipped with net. Ø630 - 1250 can be delivered with net to order. Mesh width 10 × 10 mm.

Screws or nails connect to an external wall. Delivery as standard with bird net.

Maintenance

The grille should be removed to gain access to the duct. The external parts should be wiped with a damp cloth.

Min. - max. dimensions



Ød nom	ØD [mm]	I [mm]	E [mm]	A _f (m ²)	Weight [kg]	
80	*	98	10,0	3,5	0,003	0,10
100	*	123	19,5	2,5	0,006	0,13
125	*	149	19,5	2,5	0,009	0,18
150	*	173	19,5	2,5	0,013	0,23
160	*	183	19,0	3,0	0,015	0,27
200	*	223	19,0	3,0	0,024	0,47
250	*	273	21,5	3,5	0,038	0,70
315	*	338	21,0	4,0	0,063	1,09
400	*	440	34,0	6,5	0,079	3,00
500	*	545	34,0	6,5	0,118	5,50
630		660	50,5	6,5	0,187	8,80
710		740	50,5	1,5	0,235	10,8
800		830	50,5	1,5	0,300	14,6
1000		1030	50,5	1,5	0,470	21,0
1250		1280	50,5	1,5	0,740	35,0

* The grill has 2 × Ø4,2 mm screw holes on the side for mounting.

Ød > 500 mm, no pre-drilled holes for mounting.

A_f (m²) = Free area

Materials and finish

Grille: Ø80 - 500 Cast uminium
 Grille: Ø630 - 1250 Galvanised steel

Standard finish: Untreated

Can be supplied powder-coated. Contact Lindab's sales department for further information.

Order code



Example: YGC-160

External wall grille



Technical data

Capacity

Air flow rate q_v [l/s] and [m³/h], total pressure drop, Δp_t [Pa], can be seen in the diagrams.

Sound pressure level in free field (1/4 spherical)

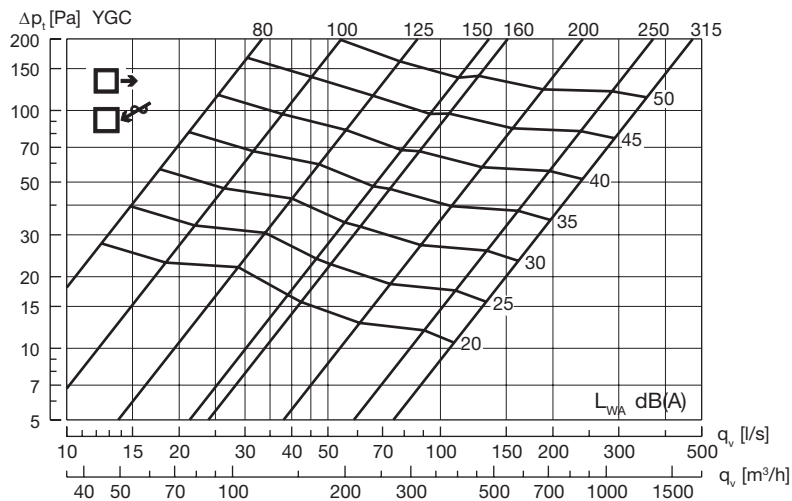
Sound power level L_{WA} [dB(A)] can be seen in the diagrams.

For sound pressure level at distance X [m]:

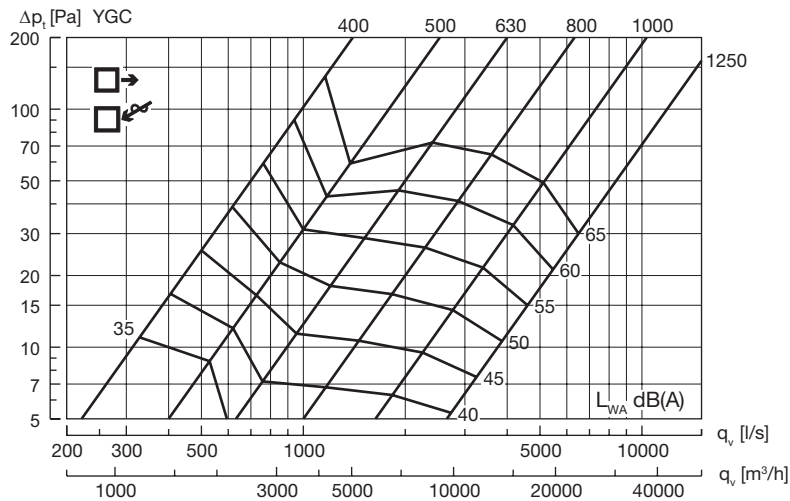
$$L_{pA} = L_{WA} - K, \text{ see table below}$$

X [m]	1	2	3	4	5	10	20
K [dB]	-5	-12	-15	-17	-19	-25	-30

YGC 80-315



YGC 400-1250





Most of us spend the majority of our time indoors. Indoor climate is crucial to how we feel, how productive we are and if we stay healthy.

We at Lindab have therefore made it our most important objective to contribute to an indoor climate that improves people's lives. We do this by developing energy-efficient ventilation solutions and durable building products. We also aim to contribute to a better climate for our planet by working in a way that is sustainable for both people and the environment.

[Lindab](#) | For a better climate